

QUICK COUPLING VALVES

3RC

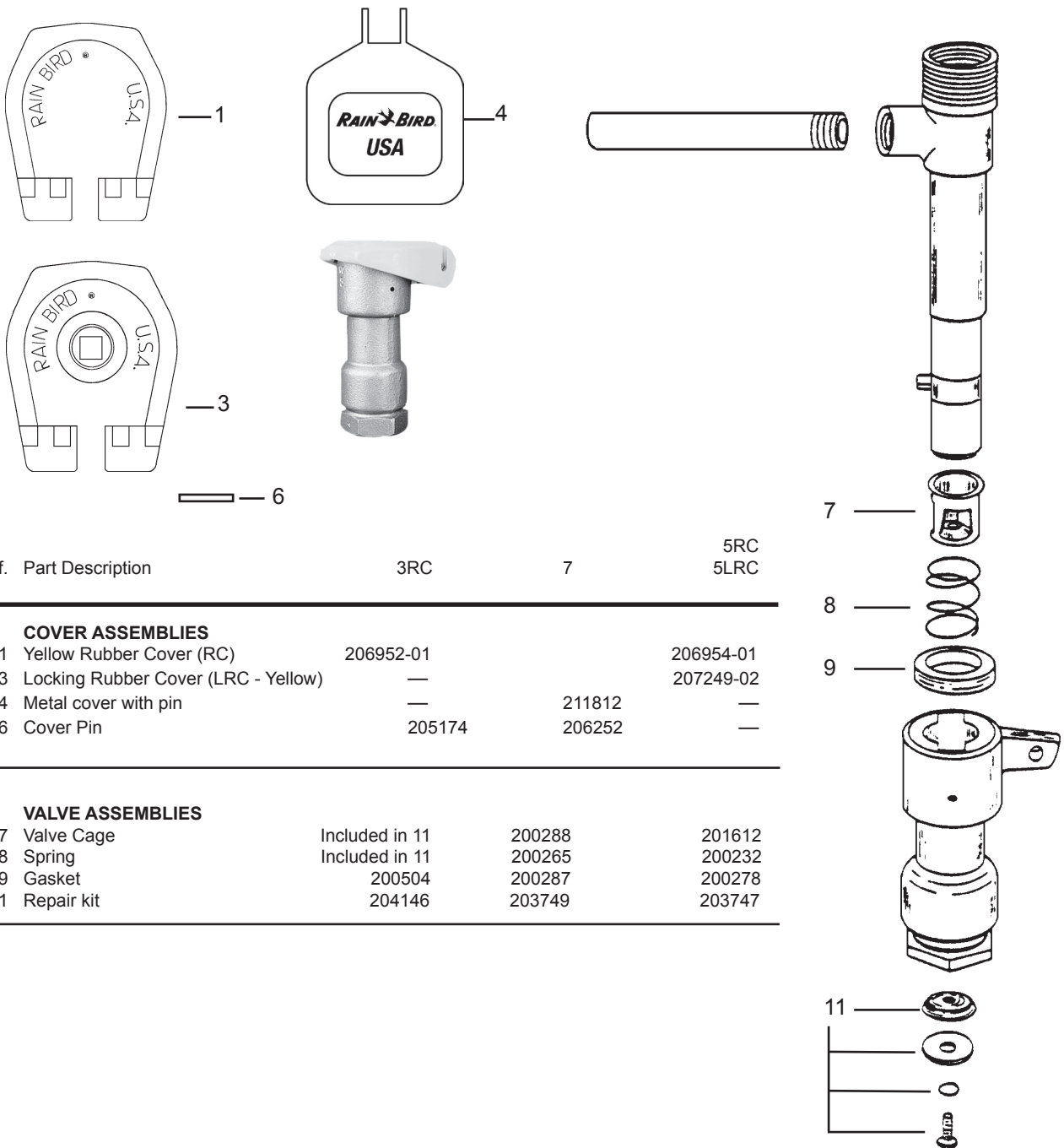
5RC / 5LRC

7

Ref. No. : 505

Date : 03/2005

Page : 1 of 1



Ref.	Part Description	3RC	7	5RC 5LRC
COVER ASSEMBLIES				
1	Yellow Rubber Cover (RC)	206952-01		206954-01
3	Locking Rubber Cover (LRC - Yellow)	—		207249-02
4	Metal cover with pin	—	211812	—
6	Cover Pin	205174	206252	—
VALVE ASSEMBLIES				
7	Valve Cage	Included in 11	200288	201612
8	Spring	Included in 11	200265	200232
9	Gasket	200504	200287	200278
11	Repair kit	204146	203749	203747

ELECTRIC CONTROL VALVE

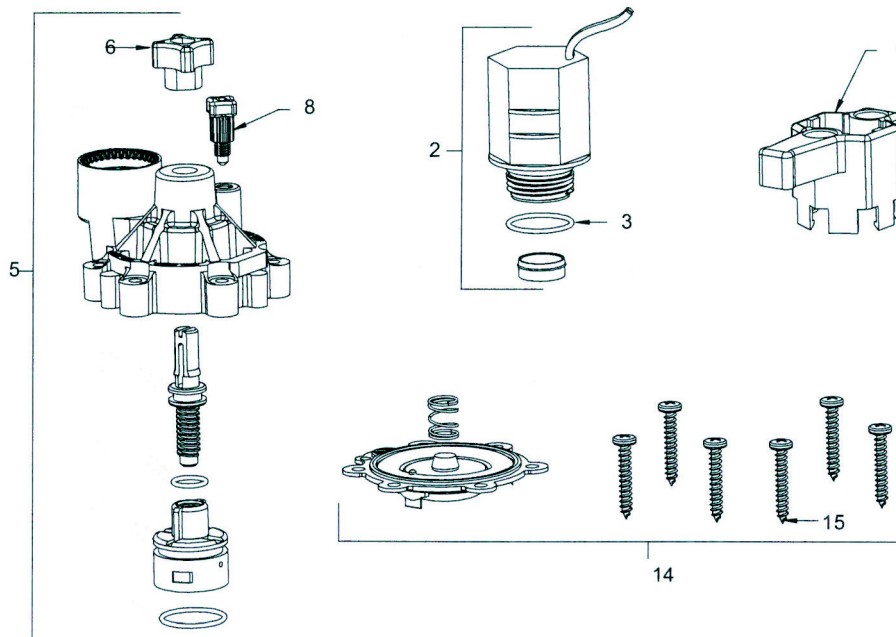
075 DV / 100 DV/DV-A/DV-MM /100 DVF



Ref. No.: 602

Date: 03/2005

Page: 1 of 1



Ref.	Part Description	75-DV	100-DV/DVA	100-DVF
1	Solenoid Handle	170228	170228	170228
2	Solenoid Repair Kit	208588-01	208588-01	208588-01
3	Solenoid O-Ring AS 021, 70A	209502	209502	209502
5	Bonnet Repair Kit (Flow Control Version)	—	—	209398
6	Flow Control Handle	—	—	208393
8	External Bleed Screw	210331	210331	210331
14	Diaphragm Repair Kit	210746-03	210746-03	210746-03
15	Bonnet Screws (6 required, 6 in repair kit.)	210295	210295	210295

ELECTRIC CONTROL VALVES

100 / 150 / 200PE SERIES

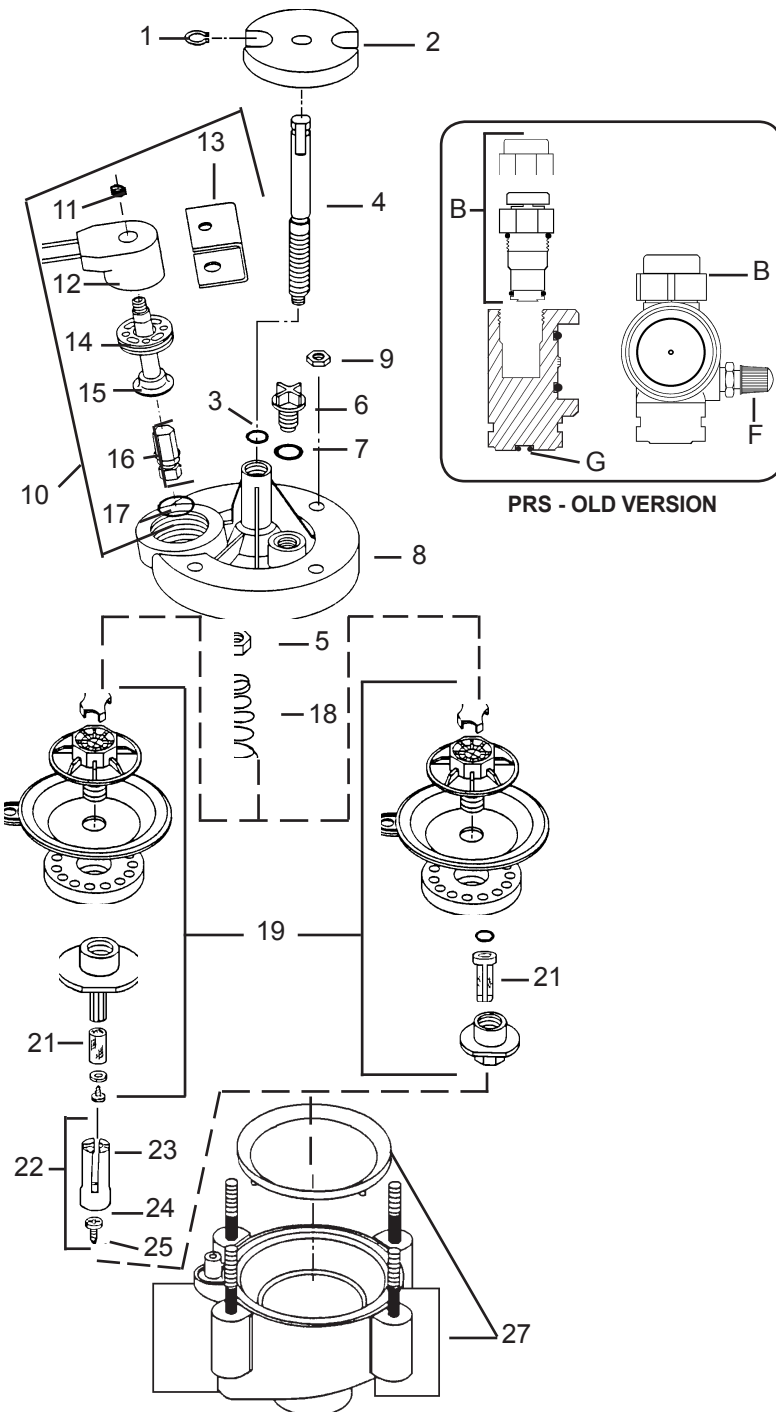
100 / 150 / 200PES SERIES



Ref. No.: 603

Date: 03/2005

Page: 1 of 2



Ref.	Part Description	100PE 100PE-PRS	100PES 100PES-PRS
BONNET ASSEMBLY			
	209367-01	209367-01	
	Handle Assembly	204151	204151
1	Retaining Ring	—	—
2	Handle	—	—
3	O-Ring, Stem	211236	211236
4	Flow Stem	—	—
5	Stem Nut	202881	202881
6	Bleed Screw W/O-Ring	202873	202873
7	O-Ring, Bleed	202668	202668
8	Bonnet	209813-01	209813-01
9	Lock Nut	204969	204969

SOLENOID ASSEMBLY			
10	Solenoid Assembly	206920-01	206920-01
11	Rubber Retainer	627167	627167
12	Coil	602118	602118
13	U-Frame	210914	210914
14	Base Nut (Plastic)	602606	602606
15	Tube, Welded	630028	630028
16	Plunger/Spring Assy	629453	629453
17	O-Ring	202882	202882

PRS - PRESSURE REGULATOR (OLD VERSION)			
B	Internal Cartridge	208206	208206
F	Schrader Valve	203030	203030
G	O-Ring	202882	202882

LOWER ASSEMBLY			
18	Diaphragm Spring	202912	202912
19	Diaphragm Assembly	208143	208144-02
21	Screen	206092-02	203060-02
22	Scraper Kit	—	206994
23	Scraper	—	—
24	Screw	—	—
25	Snap Washer	—	—
27	Body Assy (BSP) (D)	207325-02	207325-02

(D) When replacing body, use current PES/PESB version diaphragm. Older diaphragm will not work on current body.

ELECTRIC CONTROL VALVES

100 / 150 / 200PE SERIES

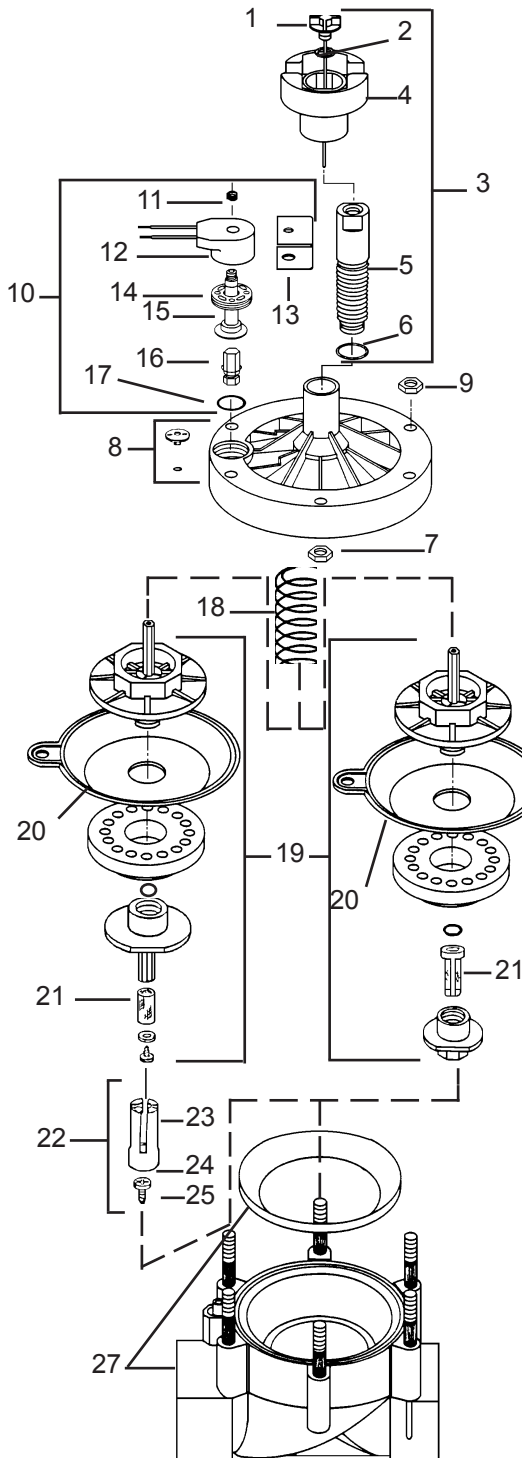
100 / 150 / 200PES SERIES



Ref. No.: 603

Date: 03/2005

Page: 2 of 2



Ref. Part Description	150PE 150PE-PRS	200PE 200PE-PRS	150PES 150PES-PRS	200PES 200PES-PRS
BONNET ASSEMBLY				
1 Bleed Screw W/O-Ring	204152	204152	204152	204152
2 O-Ring, Bleed	202668	202668	202668	202668
3 Handle Assembly	204153	204153	204153	204153
4 Handle	202889	202889	202889	202889
5 Flow Stem	—	—	—	—
6 O-Ring, Stem	202896	202896	202896	202896
7 Stem Nut	—	—	—	—
8 Bonnet	209813-02	209813-02	209813-02	209813-02
9 Lock Nut (6)	204968	204968	204968	204968

SOLENOID ASSEMBLY				
10 Solenoid Assembly	206920-01	206920-01	206920-01	206920-01
11 Rubber Retainer	627167	627167	627167	627167
12 Coil	602118	602118	602118	602118
13 U-Frame	210914	210914	210914	210914
14 Base Nut (Plastic)	602606	602606	602606	602606
15 Tube, Welded	630028	630028	630028	630028
16 Plunger/Spring Assy	629453	629453	629453	629453
17 O-Ring	202882	202882	202882	202882

PRS - PRESSURE REGULATOR (See Page #1)				
B Internal Cartridge	208206	208206	208206	208206
F Schrader Valve	203030	203030	203030	203030
G O-Ring	202882	202882	202882	202882

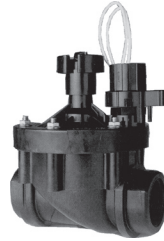
LOWER ASSEMBLY				
18 Diaphragm Spring	203016	203016	203016	203016
19 Diaphragm Assembly	208605	208605	208518-02	208518-02
20 Diaphragm	202898	202898	202898	202898
21 Screen	206092-02	206092-02	203060-01	203060-01
22 Scraper Kit	—	—	206994	206994
23 Scraper	—	—	—	—
24 Screw	—	—	—	—
25 Snap Washer	—	—	—	—
27 Body Assy (BSP) (D)	208604	208610	208604	208610

(D) When replacing body, use current PES/PESB version diaphragm. Older diaphragm will not work on current body.

ELECTRIC CONTROL VALVES

100 / 150 / 200PEB

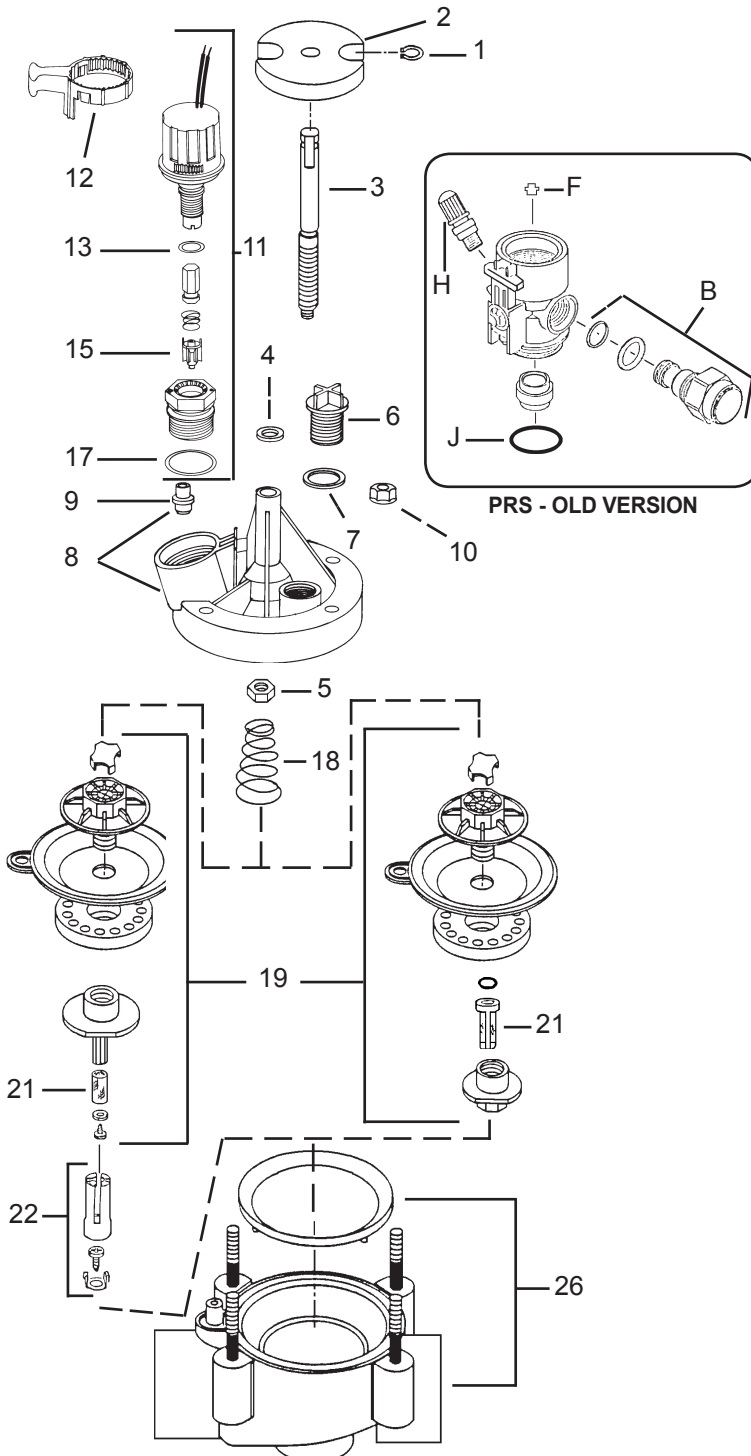
100 / 150 / 200PESB



Ref. No.: 604

Date: 03/2005

Page: 1 of 2



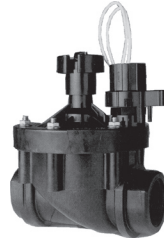
Ref.	Part Description	100PEB	100PESB
BONNET ASSEMBLY			
	Handle Assembly	209367-01	209367-01
	204151	204151	204151
1	Retainer Ring	—	—
2	Valve Handle	—	—
3	Flow Stem	—	—
4	Stem O-Ring	211236	211236
5	Stem Nut	202881	202881
6	Bleed Screw with O-ring	202873	202873
7	Bleed Screw O-Ring	202668	202668
8	Bonnet with Seal	209813-01	209813-01
9	Solenoid Seal	208629	208629
10	Lock Nut (4 or 6) (A)	204969	204969
SOLENOID ASSEMBLY			
11	Solenoid Assembly	209532-02	209532-02
12	Lock Ring with Handle	209943	209943
13	O-Ring (B)	—	—
15	Retainer (B)	—	—
17	Adapter O-Ring (B)	—	—
PRS - OLD PRESSURE REGULATOR OPTION			
B	Internal Cartridge	208206	208206
F	Solenoid Seal	208629	208629
H	Schrader Valve	203030	203030
J	O-Ring	209502	209502
LOWER ASSEMBLY			
18	Diaphragm Spring	202912	202912
19	Diaphragm Assembly	208143	208144-02
21	Screen	206092-02	203060-02
22	Scraper Kit	—	206994
26	Body Assy BSP Threads	207325-02	207325-02

(A) Lock Nuts: 4 for 100 series - 6 for 150 and 200 series.
 (B) Included in Solenoid O-Ring/Retainer Kit # 210463.

ELECTRIC CONTROL VALVES

100 / 150 / 200PEB

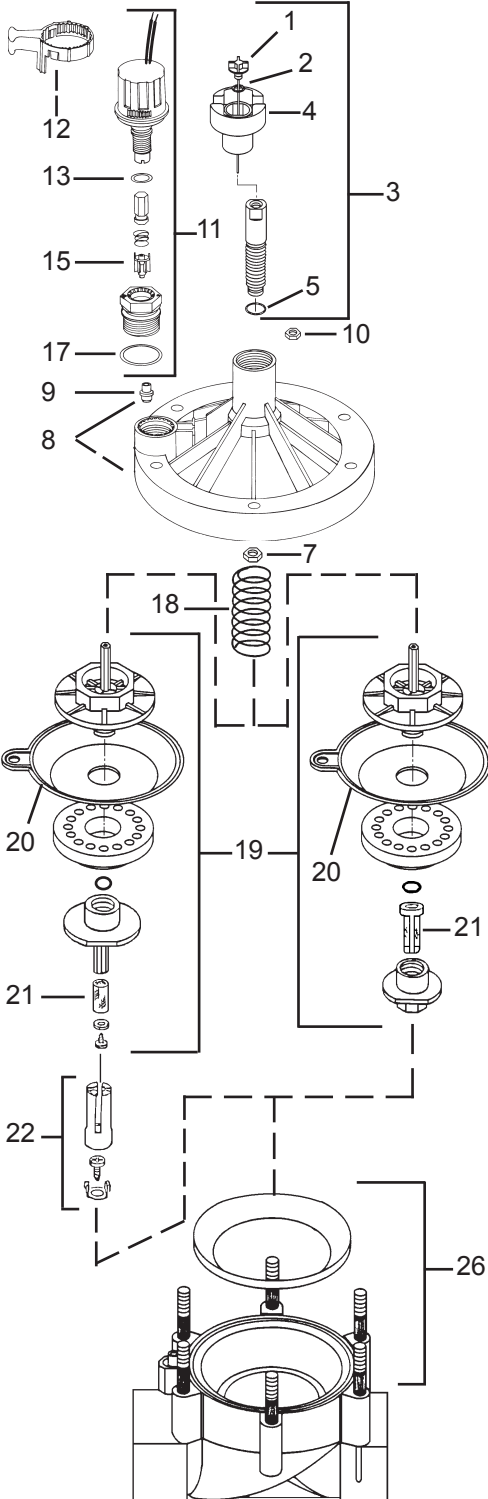
100 / 150 / 200PESB



Ref. No.: 604

Date: 03/2005

Page: 2 of 2



Ref.	Part Description	150PEB	200PEB	150PESB	200PESB
BONNET ASSEMBLY					
3	Handle Assembly	204153	204153	204153	204153
1	Bleed Screw with O-ring	204152	204152	204152	204152
2	Bleed O-Ring	202668	202668	202668	202668
4	Valve Handle	202889	202889	202889	202889
5	O-Ring, Stem	202896	202896	202896	202896
7	Stem Nut	—	—	—	—
8	Bonnet with Seal	209813-02	209813-02	209813-02	209813-02
9	Solenoid Seal	208629	208629	208629	208629
10	Lock Nut (4 or 6) (A)	204968	204968	204968	204968
SOLENOID ASSEMBLY					
11	Solenoid Assembly	209532-02	209532-02	209532-02	209532-02
12	Lock Ring with Handle	209943	209943	209943	209943
13	O-Ring (B)	—	—	—	—
15	Retainer (B)	—	—	—	—
17	Adapter O-Ring (B)	—	—	—	—
PRS - OLD PRESSURE REGULATOR OPTION (See Page 1)					
B	Internal Cartridge	208206	208206	208206	208206
F	Solenoid Seal	208629	208629	208629	208629
H	Schrader Valve	203030	203030	203030	203030
J	O-Ring	209502	209502	209502	209502
LOWER ASSEMBLY					
18	Diaphragm Spring	200211	200211	200211	200211
19	Diaphragm Assembly	208605	208605	208518-02	208518-02
20	Diaphragm	202898	202898	202898	202898
21	Screen	206092-02	206092-02	203060-01	203060-01
22	Scraper Kit	—	—	206994	206994
26	Body Assy BSP Threads	208604	208610	208604	208610

(A) Lock Nuts: 4 for 100 series - 6 for 150 and 200 series.

(B) Included in Solenoid O-Ring/Retainer Kit # 210463.

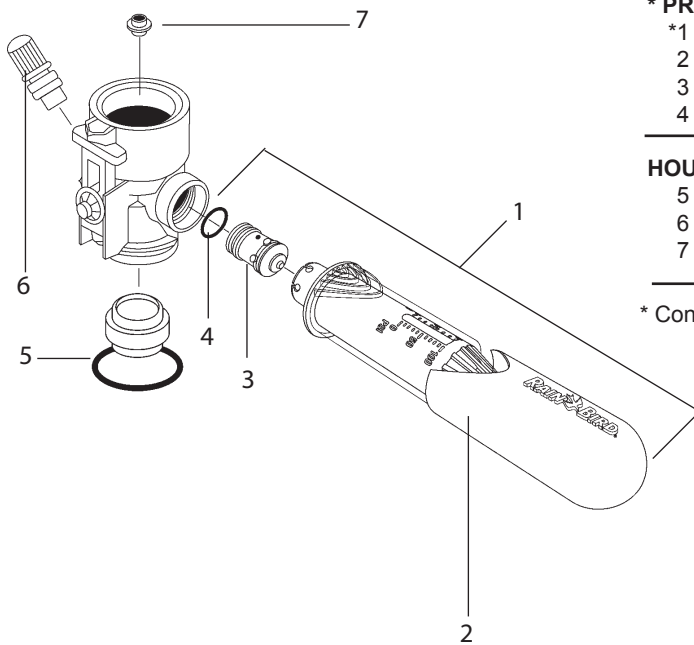
VALVE PRESSURE REGULATOR PRS-D (Dial)



Ref. No.: 610

Date: 03/2005

Page: 1 of 1

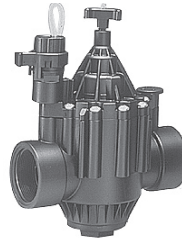


Ref.	Part Description	PRS-D
* PRS-D		
*1	Cartridge Assembly	B33135
2	Cap	B33136
3	Seat Assembly	231678
4	O-ring Seat	231742
HOUSING		
5	O-ring Housing	203026
6	Schrader Valve	209502
7	Solenoid Seal	203030
		208629

* Consult current whole goods Price List

ELECTRIC CONTROL VALVES

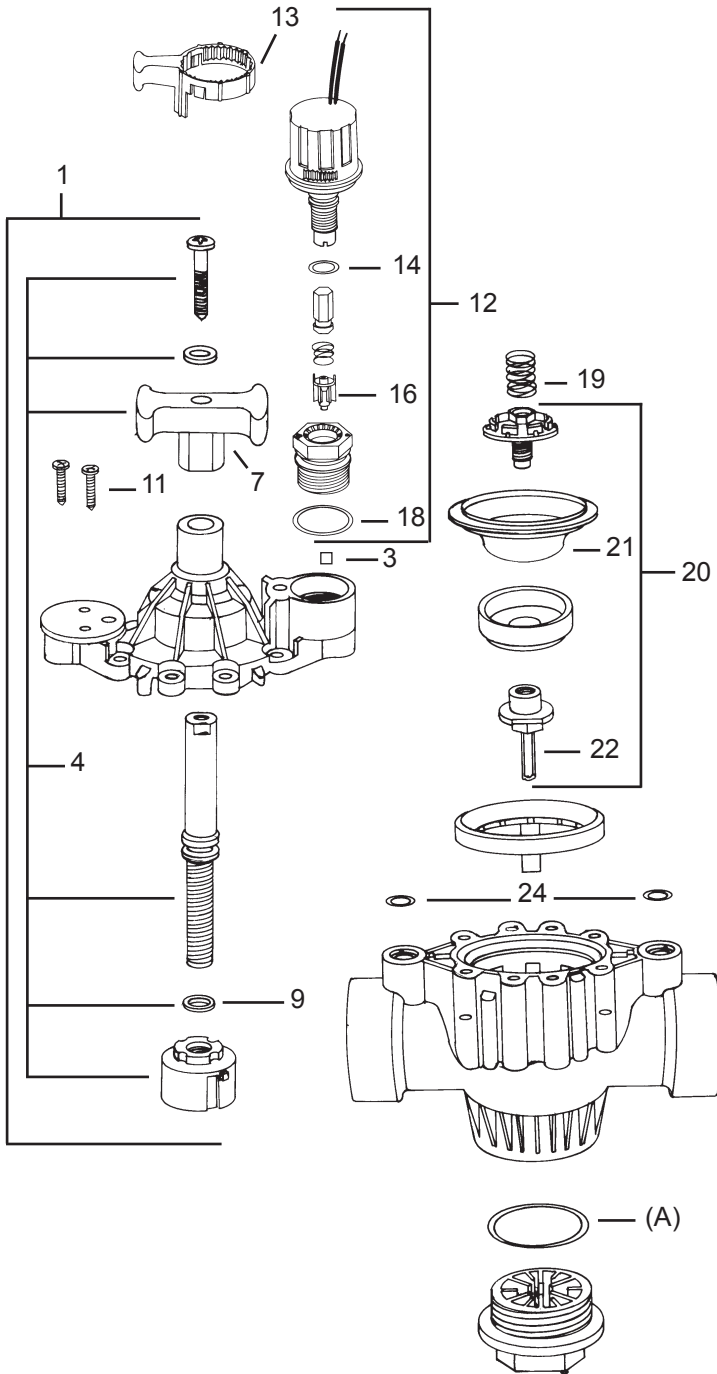
100- PGA / 150-PGA / 200-PGA



Ref. No.: 615

Date: 03/2005

Page: 1 of 1



Ref.	Description	100PGA	150PGA	200PGA
1	BONNET ASSEMBLY	210858	210454	210866
3	Solenoid Seal	208629	208629	208629
4	Flow Control Assy	210859	210455	210867
7	Handle	208940	208940	210294
9	O-Ring AS-111 (A)	—	—	—
11	Screw (6,8 OR 10)	210295	208860	209054

SOLENOID ASSEMBLY

12	Solenoid Assembly	209532-02	209532-02	209532-02
13	Lock Ring with Handle	209943	209943	209943
14	O-Ring (B)	—	—	—
16	Retainer (B)	—	—	—
18	Adapter O-Ring (B)	—	—	—

LOWER ASSEMBLY

19	Diaphragm Spring	202542	210076	203016
20	Diaphragm Assembly	209792	209675	209005
21	Diaphragm	209659	208901	209010
22	Screen	206092-02	206092-02	206092-02
24	O-Ring AS-111 (2) (A)	—	—	—

(A) Included in Seal Kit 210861 210456 210869

(B) Included in Solenoid O-Ring/Retainer Kit # 210463.

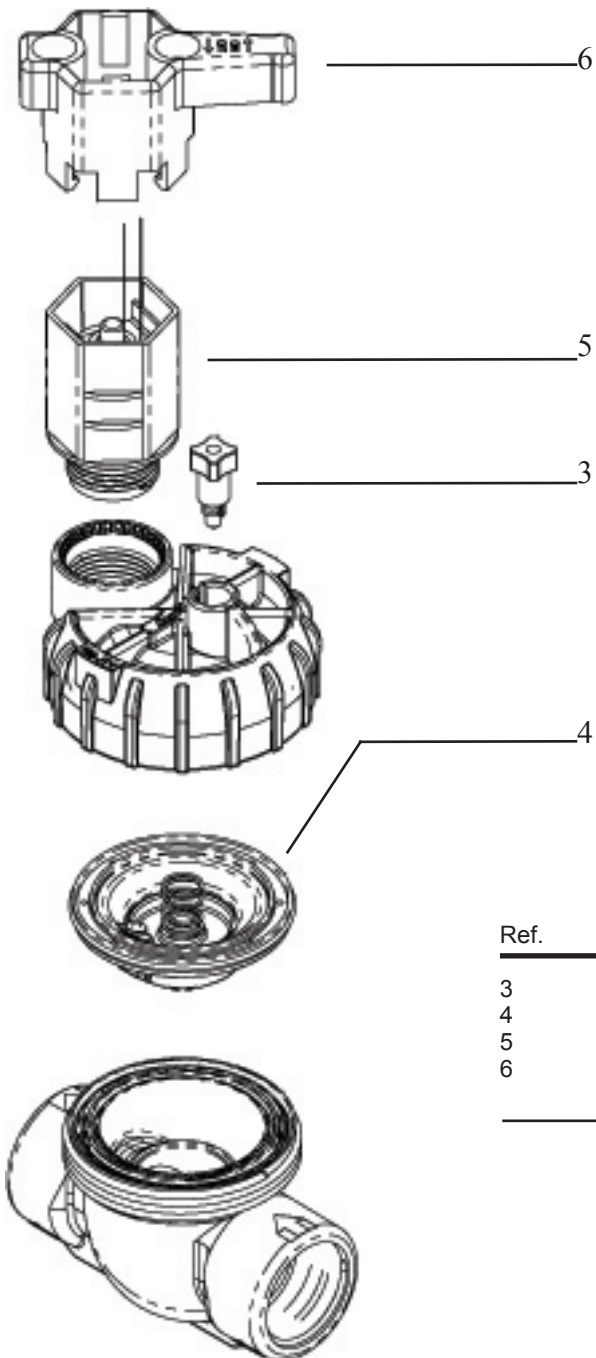
ELECTRIC CONTROL VALVE

100-JTV

Ref. No. : 617

Date : 03/2005

Page : 1 of 1



Ref.	Part Description	100-JTV
3	Screw, Bleed	210331
4	Diaphragm Assembly	231771
5	Solenoid	208588-01
6	Handle, Solenoid	170228

CAST IRON VALVES

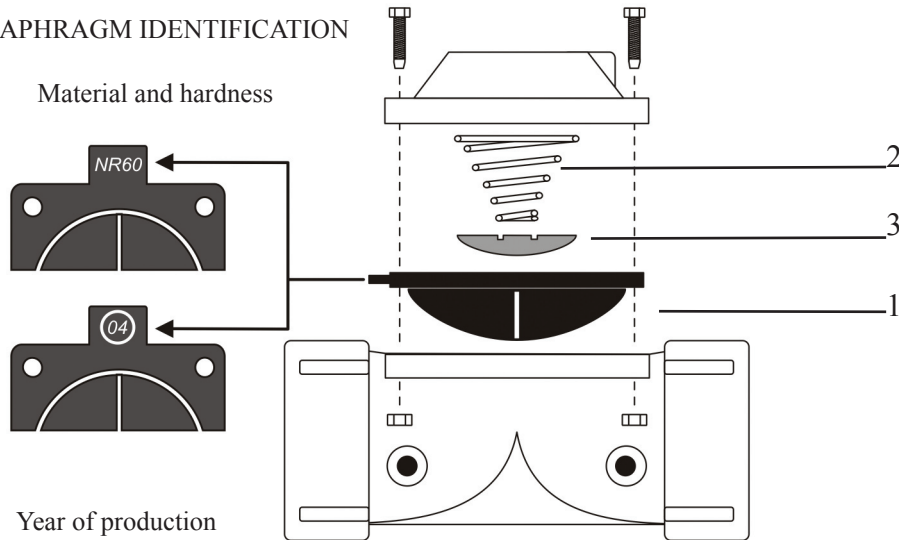
AG SERIES

Ref. No. : 629

Date : 03/2005

Page : 1 of 5

DIAPHRAGM IDENTIFICATION



Ref:	1	2	3
Part Description:	Diaphragm	Spring	Support
Model			
LT 150 NU	LTD150200	LTR0203020	LTS150200
LT 200 NU	LTD150200	LTR0203020	LTS150200
LT 250 NU	LTD150200	LTR0203020	LTS150200
LT 253 NU (3")	LTD150200	LTR0203020	LTS150200
LT 300 NU	LTD300	LTR030C045	LTS300
LT 300 BRIDE NU	LTD300	LTR030C045	LTS300
LT 400 NU	LTD400	LTR8010060	LTS400500
LT 500 NU	LTD400	LTR8010060	LTS400500
LT 600 NU	LTD600	LTR1520080	LTS600
LT 150 NU-X	LTD150200-X	LTR0203020	LTS150200
LT 200 NU-X	LTD150200-X	LTR0203020	LTS150200
LT 250 NU-X	LTD150200-X	LTR0203020	LTS150200
LT 253 NU-X (3")	LTD150200-X	LTR0203020	LTS150200
LT 300 NU-X	LTD300-X	LTR030C045	LTS300
LT 300 BRIDE NU-X	LTD300-X	LTR030C045	LTS300
LT 400 NU-X	LTD400-X	LTR8010050	LTS400500
LT 500 NU-X	LTD400-X	LTR8010050	LTS400500
LT 600 NU-X	LTD600-X	LTR1520050	LTS600

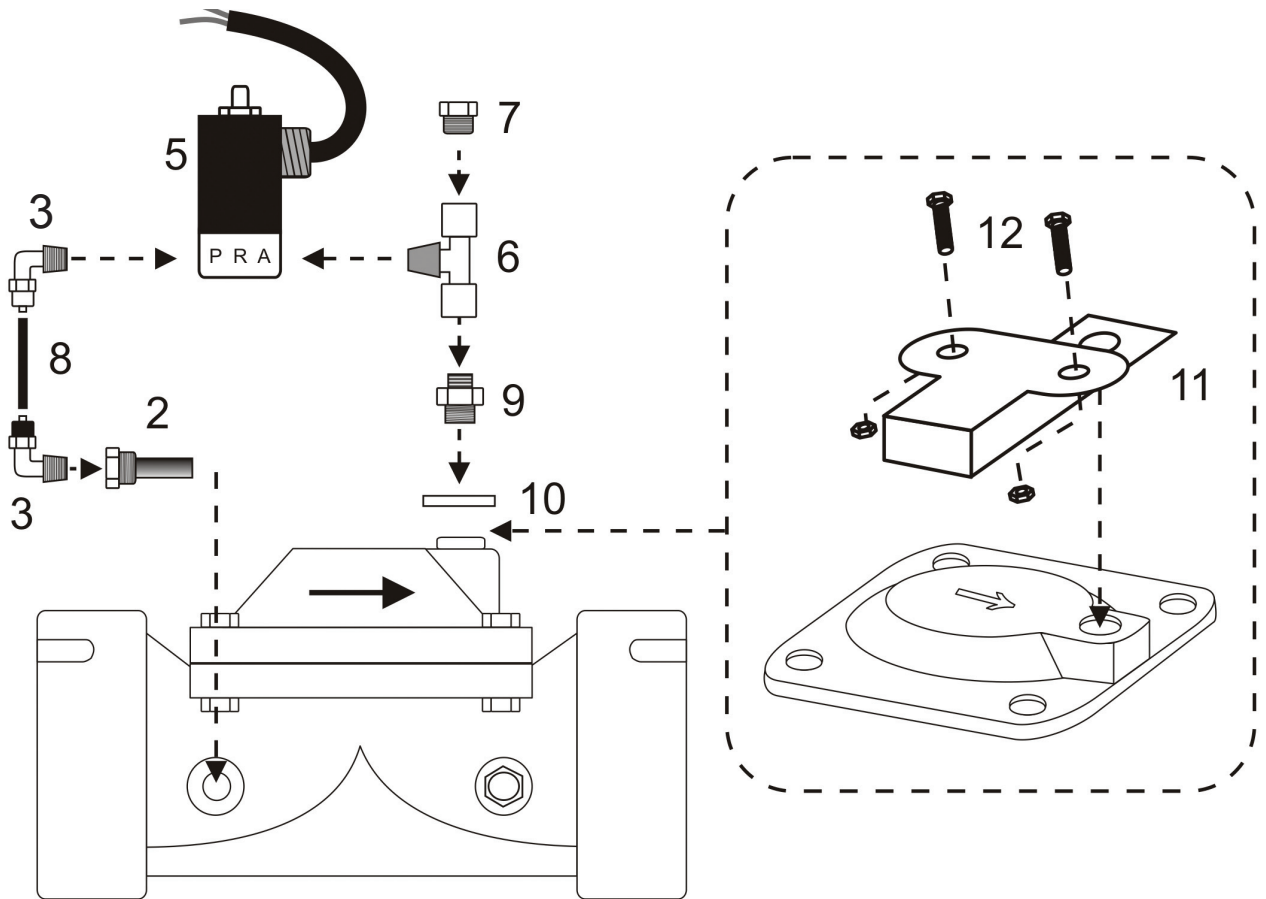
CAST IRON VALVES

AG/AG-X SERIES

Ref. No. : 629

Date : 03/2005

Page : 2 of 5



Ref.	Part Description	Part Numbers
2	Filter 1/4" M	LTECRRAFILSX
3	Elbow 1/8" Mx4x6	71-P51285
5	Burkert solenoid	JA3000
6	Tee 1/8" F-M-F	71-P51294
7	Plug 1/8"M	71-P51316
8	PEHD Tube 4x6 (1m)	71-P51275
9	Reducer 1/8M" - 1/4M"	71-P51308
10	Washer M12	71-P51329
11	Mounting bracket	71-P51018
12	Bolts M6x20	

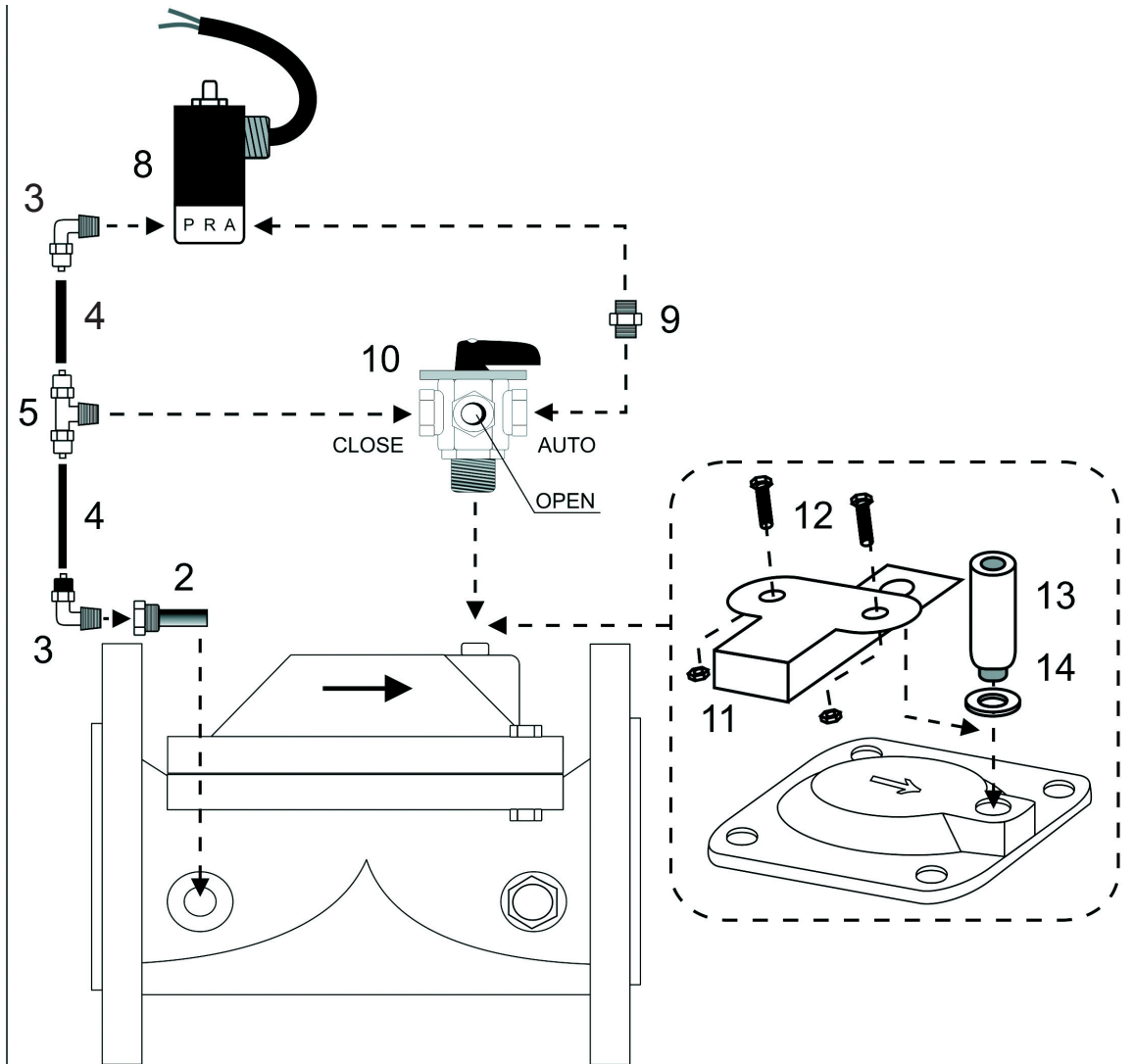
CAST IRON VALVES

AG-3V/AG-3V-X SERIE

Ref. No. : 629

Date : 03/2005

Page : 3 of 5



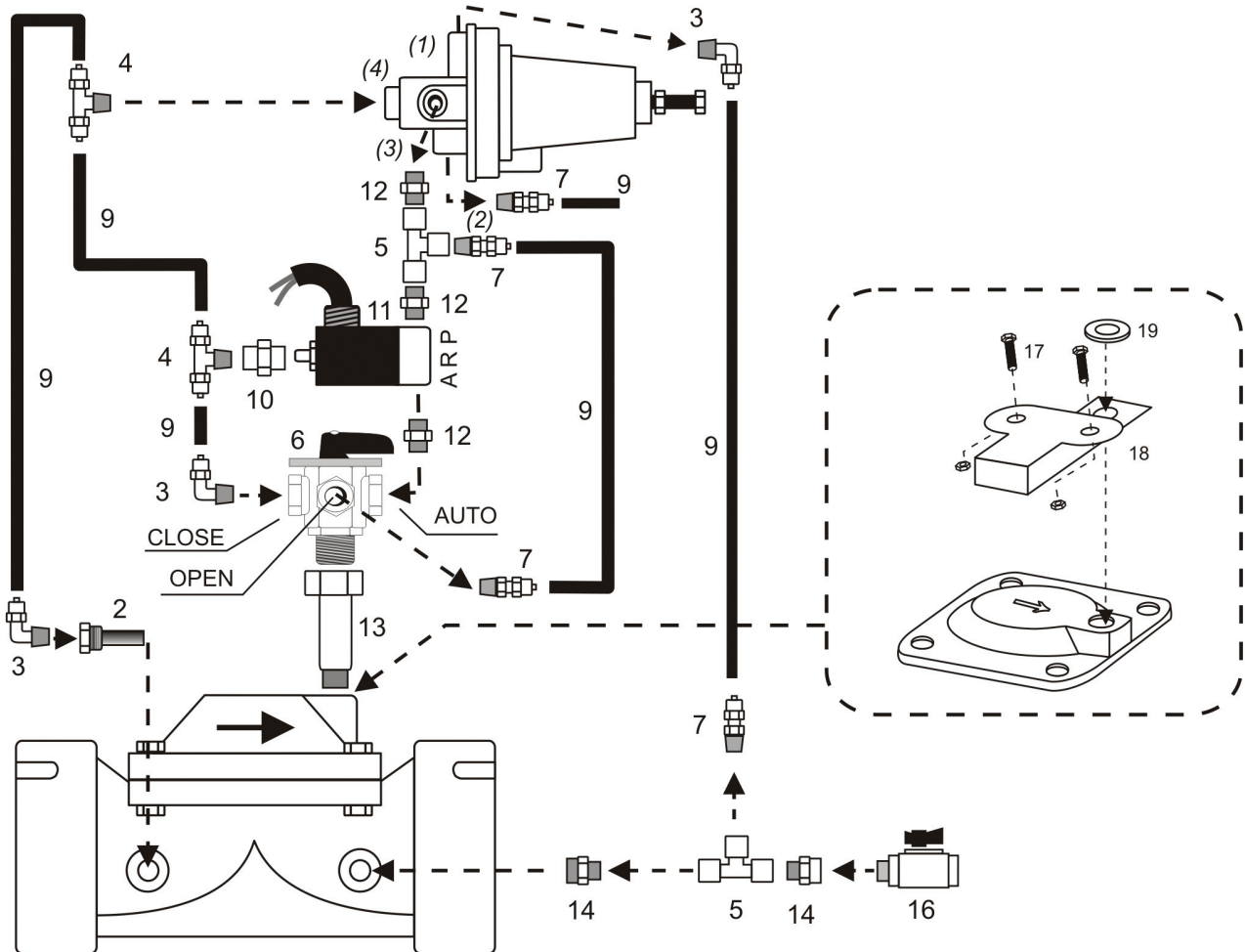
Ref.	Part Description	Part Numbers
2	Filter 1/4" M	LTECRRAFILSX
3	Elbow 1/8" Mx4x6	71-P51285
4	PEHD Tube 4x6 (1m)	71-P51275
5	Tee 1/8" Mx4x6	71-P51295
8	Burkert solenoid	JA3000
9	Nipple 1/8"M-1/8"M.....	71-P51324
10	3-Way handle	LTROB3V
11	Mounting bracket.....	71-P51018
12	Bolts M6x20	
13	Extension 1/4"F-M	71-P51300
14	Washer M 12	71-P51329

CAST IRON VALVES
AG-3V-BP SERIE
AG-3V-TAPE SERIE

Ref. No. : 629

Date : 03/2005

Page : 4 of 5



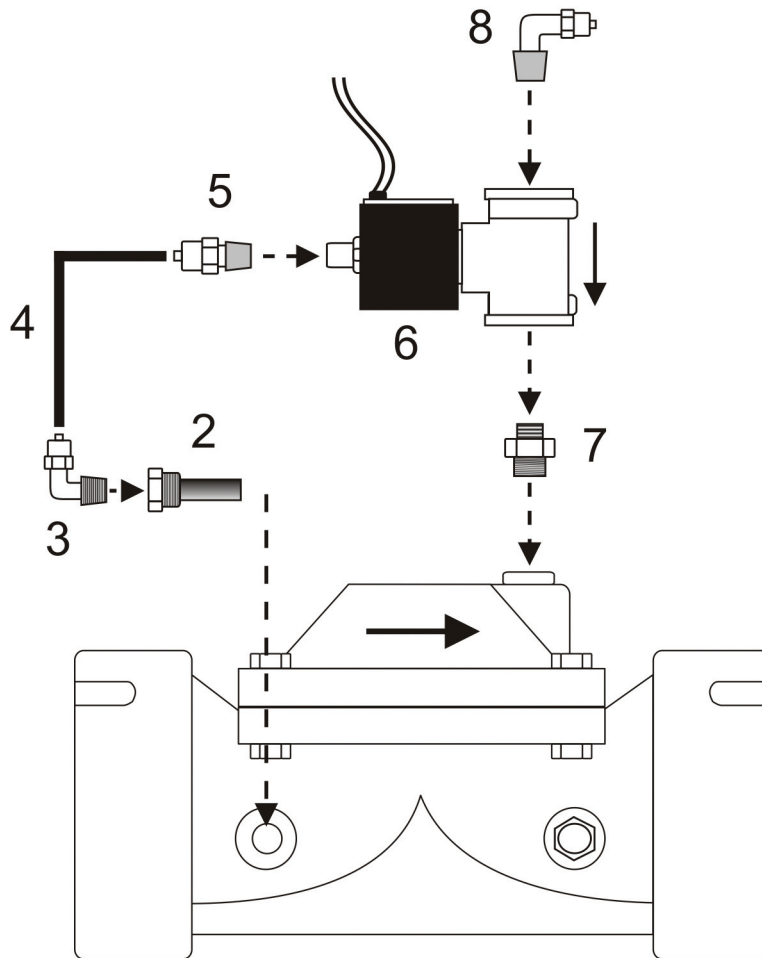
Ref.	Part Description	Part Numbers
2	Filter 1/4" M	LTECRRAFILSX
3	Elbow 1/8" Mx4x6	71-P51285
4	Tee 1/8" Mx4x6	71-P51295
5	Tee 1/8" F-F-F	71-P51296
6	3-Way handle	LTROB3V
7	Connector 1/8" Mx4x6	71-P51276
9	PEHD Tube 4x6 (1m)	71-P51275
10	Straight 1/8"F-1/8"F	71-P51334
11	Burkert solenoid	JA3000
12	Nipple 1/8"M-1/8"M.....	71-P51324
13	Extension 1/4"M-F	71-P51300
14	Reducer 1/4M"-1/8M"	71-P51308
16	On-Off Valve 1/4"M-F	71-P51349
17	Mounting bracket	71-P51018
18	Bolts M6x20	71-P51018
19	Washer M12	71-P51329

CAST IRON VALVES
 24V SERIE
 300-CI-24V SERIE

Ref. No. : 629

Date : 03/2005

Page : 5 of 5



Ref.	Part Description	Part Numbers
2	Filter 1/4" M	LTECRRAFILSX
3	Elbow 1/8" Mx4x6	71-P51285
4	PEHD Tube 4x6 (1m)	71-P51275
5	Connector 1/8" M5 M4x6	71-P51279
6	24 v Solenoid	LT24V1
7	Reducer 1/8M" - 1/4M"	71-P51308
8	Elbow 1/8" Mx4x6	71-P51285

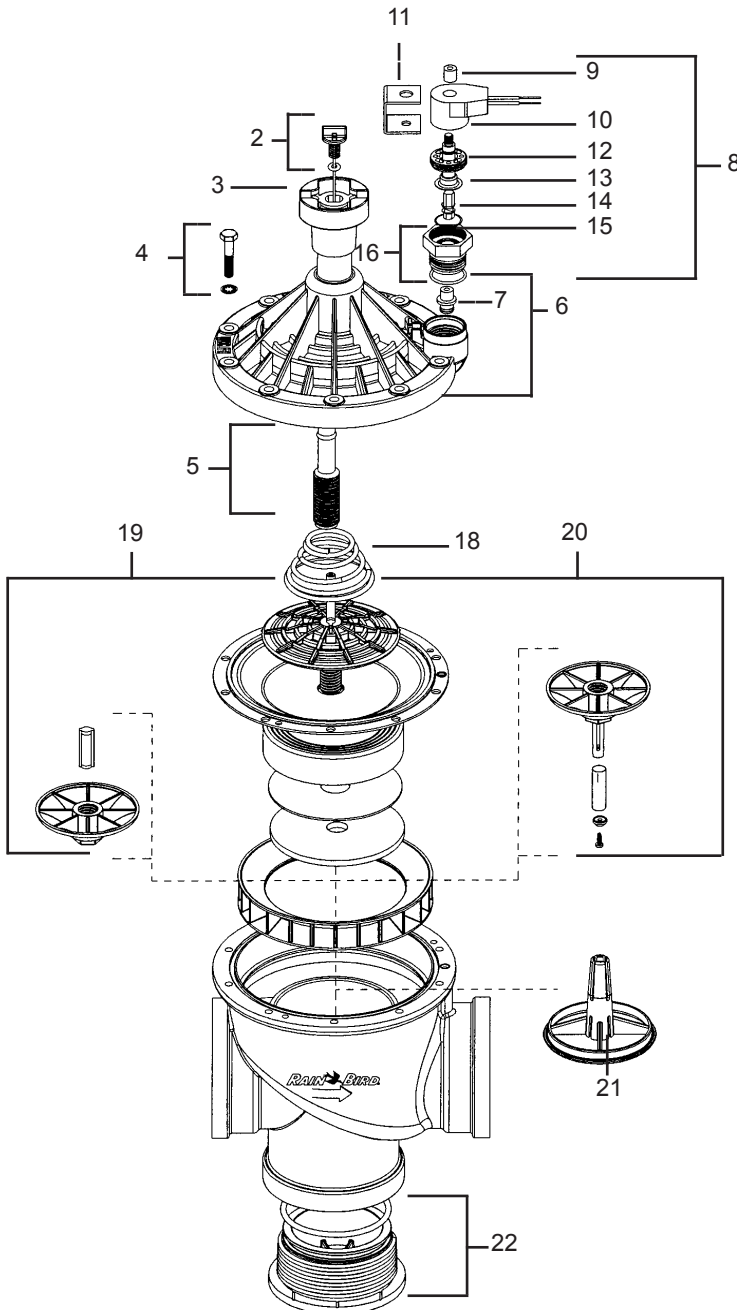
ELECTRIC CONTROL VALVES 300-BPE and BPES SERIES



Ref. No.: 630

Date: 03/2005

Page: 1 of 1



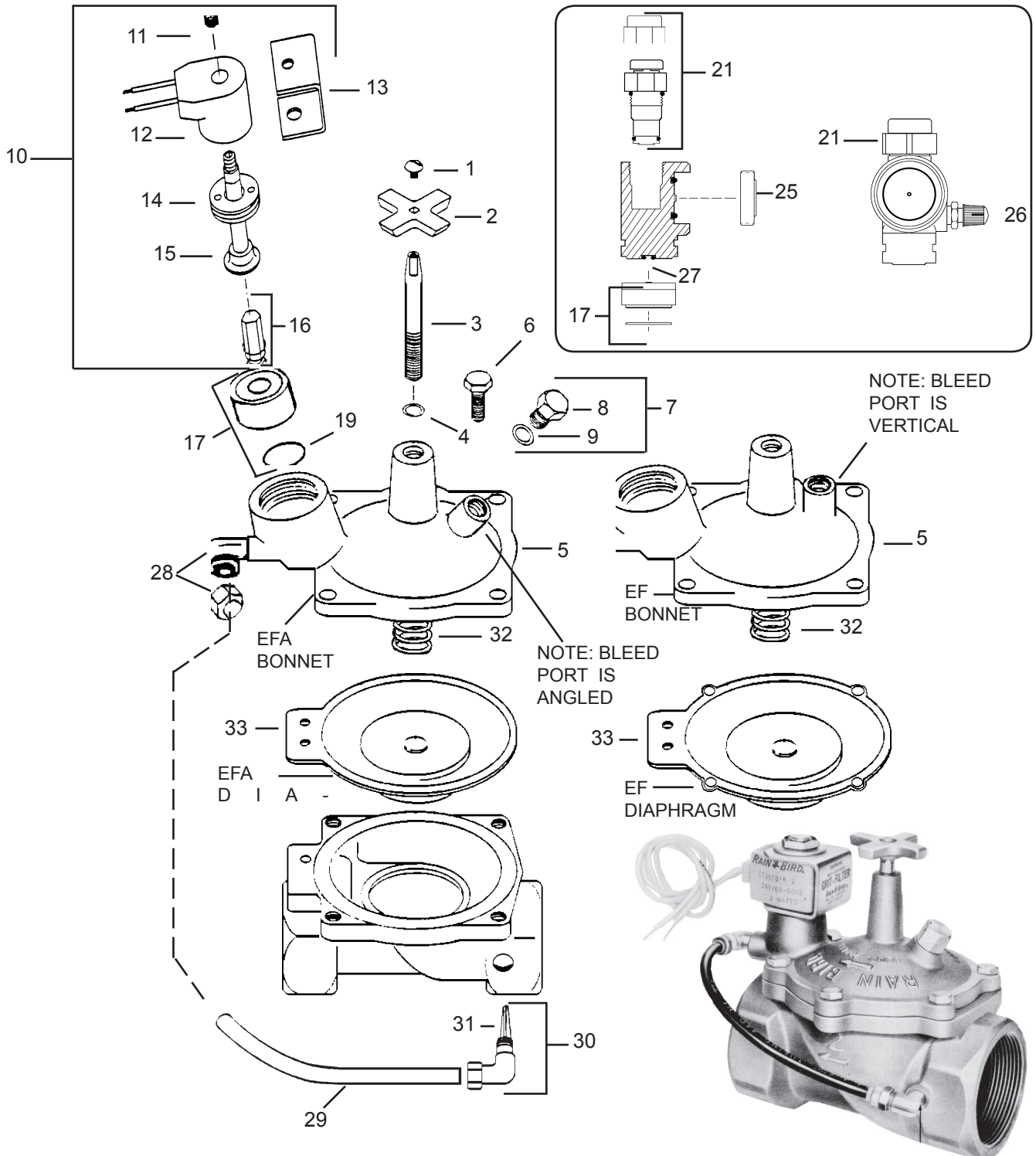
Ref.	Part Description	300-BPE	300-BPES
1	BONNET ASSEMBLY	231548	231548
2	Bleed screw w/O-Ring	232379	232379
3	Handle, flow control	231546	231546
4	Bolts (10 each)	231530	231530
5	Stem w/O-ring, flow control	232063	232063
6	Bonnet with solenoid seal	231306	231306
7	Solenoid seal	208629	208629
8	SOLENOID ASSY	B31800	B31800
9	Rubber Retainer	627167	627167
10	Coil	602118	602118
11	U-Frame	210914	210914
12	Base Nut (Plastic)	602606	602606
13	Tube, Welded	630028	630028
14	Plunger/Spring Assy	629453	629453
15	O-Ring	202882	202882
16	Adapter Assembly	231985	231985
LOWER ASSEMBLY			
18	Diaphragm Spring	231545	231545
19	Diaphragm Assembly	231543	—
20	Diaphragm Assembly	—	231542
21	Scraper	—	231544
22	Plug and O-ring	231307	231307
- O-ring kit (O-rings used in: 2, 5, 15, 19, 21)		231513	231513

ELECTRIC CONTROL VALVE
 125 / 150 / 200EF-CP SERIES
 100 / 125 / 150 / 200EFA-CP SERIES
 100 / 125 / 150 / 200EFA-CP-PRS SERIES

Catalog No.: 642

Date: 03/2005

Page : 1 of 2





ELECTRIC CONTROL VALVE
125 / 150 / 200EF-CP SERIES
100 / 125 / 150 / 200EFA-CP SERIES
100 / 125 / 150 / 200EFA-CP-PRS SERIES

Catalog No.: 642

Date: 03/2005

Page : 2 of 2

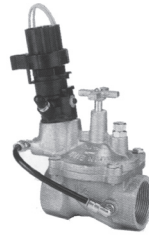
Ref.	Part Description	125EF-CP	150EF-CP	200EF-CP	100EFA-CP 100EFA-CP-PRS	125EFA-CP 125EFA-CP-PRS	150EFA-CP 150EFA-CP-PRS	200EFA-CP 200EFA-CP-PRS
BONNET ASSEMBLY								
1	Handle Screw	202502	202502	202502	202502	202502	202502	202502
2	Cross Handle	209356	209356	209356	209356	209356	209356	209356
3	Flow Stem	202667	202667	202667	202600	202667	202667	202667
4	O-Ring	202515	202515	202515	202515	202515	202515	202515
5	Bonnet (B)	(B)	(A)	(A)	(B)	(A)	(A)	(A)
6	Bonnet Bolt (4 OR 6) (C)	202507	202507	202507	202507	202507	202507	202507
7	Bleed Screw Assembly	202669	202669	202669	202669	202669	202669	202669
8	Bleed Screw	—	—	—	—	—	—	—
9	O-Ring	202668	202668	202668	202668	202668	202668	202668
SOLENOID ASSEMBLY								
10	Solenoid Assembly	206920-01	206920-01	206920-01	206920-01	206920-01	206920-01	206920-01
11	Rubber Retainer	627167	627167	627167	627167	627167	627167	627167
12	Coil	602118	602118	602118	602118	602118	602118	602118
13	U-Frame	210914	210914	210914	210914	210914	210914	210914
14	Base Nut w/o PRS (Brass)	602142	602142	602142	602142	602142	602142	602142
14	Base Nut w/ PRS (Plastic)	—	—	—	602606	602606	602606	602606
15	Tube	630028	630028	630028	630028	630028	630028	630028
16	Plunger/Spring Assembly	629453	629453	629453	629453	629453	629453	629453
17	Fluid Resistor Kit	207400	207401	207401	207399	207400	207401	207401
19	O-Ring	203316	203316	203316	203316	203316	203316	203316
PRS - REGULATOR ASSEMBLY (Old Version)								
21	Internal Cartridge	—	—	—	208206	208206	208206	208206
25	Plastic Base Nut	—	—	—	602606	602606	602606	602606
26	Schrader Valve	—	—	—	203030	203030	203030	203030
27	O-Ring	—	—	—	202882	202882	202882	202882
LOWER ASSEMBLY								
Contamination Proof Assembly								
28	Elbow	202581	202581	202581	202581	202581	202581	202581
29	Nylon Tube	202598	202598	202598	202598	202598	202598	202598
30	Elbow w/Filter	202579	202579	202579	202579	202579	202579	202579
31	Filter Only	206092-02	206092-02	206092-02	206092-02	206092-02	206092-02	206092-02
32	Diaphragm Spring	—	202542	202542	202528	—	202542	202542
33	Diaphragm Assembly	202511	202520	203500	202868	203604	202614	202615
(A) Old style EF & EFA bonnet no longer available. Use new "B" style bonnet assy and solenoid. (EF bodies require old style diaphragm.)								
	"B" Bonnet Assy	—	209369-03	209369-04	—	209369-02	209369-03	209369-04
	"B" Bonnet only	—	209814-03	209814-04	—	209814-02	209814-03	209814-04
	3/4" solenoid	—	209532-02	209532-02	—	209532-02	209532-02	209532-02

(B) Not available. No replacement.

(C) 6 bolts required for 200 series. All others require 4 bolts.

ELECTRIC CONTROL VALVE

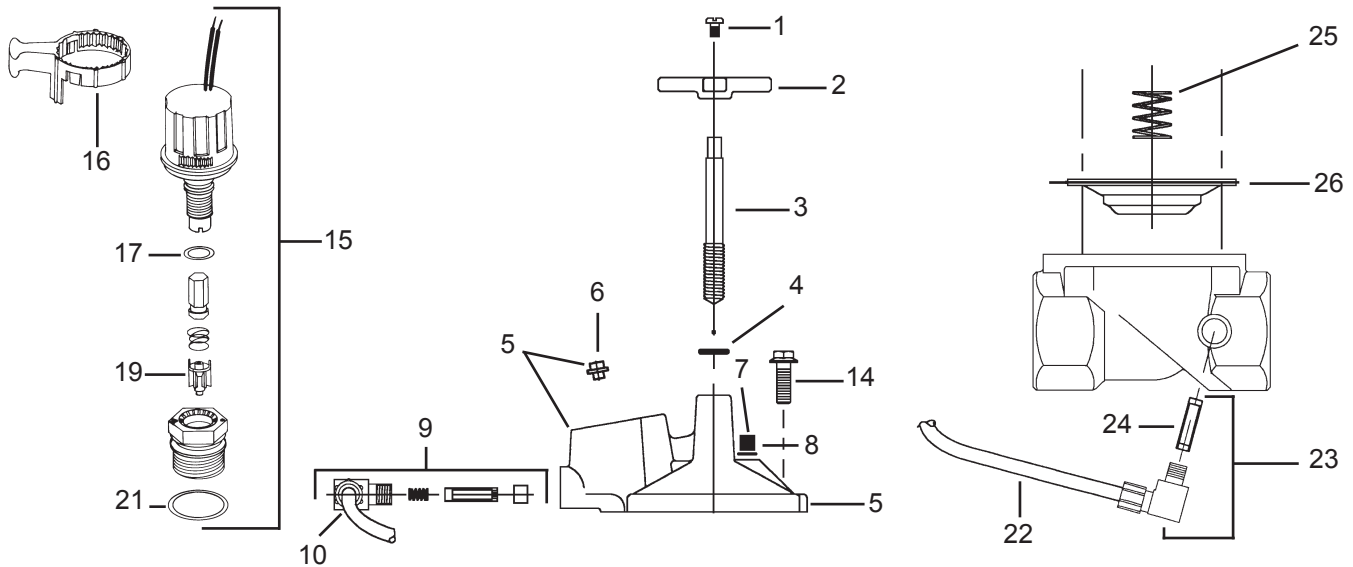
150 / 200 EFB-CP SERIES



Catalog No.: 643

Date: 03/2005

Page: 1 of 1



Ref.	Part Description	150EFB-CP	200EFB-CP
BONNET ASSEMBLY			
1	Handle Screw	209369-03	209369-04
2	Cross Handle	202502	202502
3	Flow Stem	209356	209356
4	O-Ring	202667	202667
5	Bonnet w/Seal	202515	202515
6	Solenoid Seal	209814-03	209814-04
7	Bleed Plug	208629	208629
8	O-Ring	202669	202669
9	Elbow w/Resister	202668	202668
10	Elbow	208555-01	208555-01
11	Fluid Resistor Kit	208549	208549
14	Bonnet Bolt (4 OR 6) (A)	209815	209815
		202507	202507
SOLENIOD ASSEMBLY			
15	Soleniod Assembly	209532-02	209532-02
16	Lock Ring with Handle	209943	209943
17	O-Ring (B)	(B)	(B)
19	Retainer (B)	(B)	(B)
21	Adapter O-Ring (B)	(B)	(B)
LOWER ASSEMBLY			
22	Nylon Tube	202598	202598
23	Elbow w/Filter	208554	208554
24	Filter Only	206092-02	206092-02
25	Diaphragm Spring	202542	202542
26	Diaphragm Assembly	202614	202615

(A) 6 bolts required for 200 series, all others require 4 bolts.

(B) Included in Solenoid O-Ring/Retainer Kit # 210463.